

**NETWORK
ATTACHED
STORAGE**



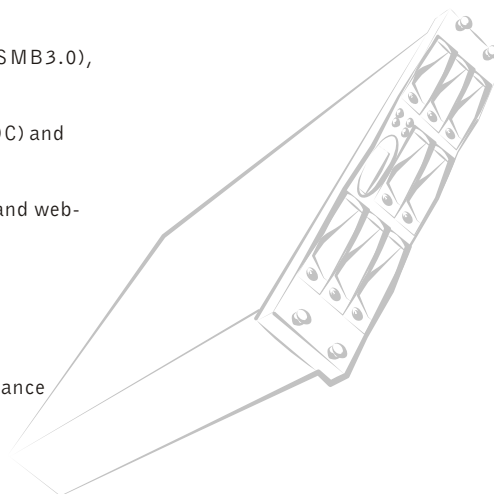
*The **Pegasus 820GR** is specially designed for businesses that demand high-capacity, intensive network-transmission performance and uncompromising data-security. Its advanced hardware-design and software- technology deliver airtight security, high-performance and centralized cross-platform data-management, making it the dedicated choice for the image- processing market, including pre-press, plate-making, advertising and magazine businesses.*

Technical Specifications

CPU	Intel P4 1.8GHz
Memory	512MB DDRAM,32MB Flashdisk with embedded system
Drive Interface	8 * ATA-133 compliant harddrive
Network Connection	Two 10/100/1000 Base-TX(RJ-45) Connector Compatible with IEEE 802.3,802.3u,802.3ab
Network Transport Protocols	TCP/IP,Apple Talk
Network File Protocols	Microsoft Network(CIFS/SMB3.0) Apple Talk(AFP3.1) Internet (HTTP1.x) Unix/Linux(NFS3.0)
Network Clients Type	Microsoft Windows 98/ME/XP/NT4.0/2000/2003 Macintosh System 7.x,8.x,9.x,10.x Unix/Linux
Network Security	Microsoft 2000/2003 Domain Controller(PDC) Unix/Linux(NIS),User Level Security
IP Address Option	DHCP Client,Manually IP Set up
Event Notification	SMTP,Beeper
RAID Level	0,1,3,5,JBOD
RAID Management	Disk Roaming Hot Spare Hot Swap Auto-rebuilding Stripe Size Option
LCD Function	CPU Fan Speed(RPM),CPU Temperature,Network,System
System Management	Web Browser BaseAdministration (English,Chinese Traditional/Simple,Japanese,Korean) LCD Display Firmware Upgrade User Privilege Management Disk Space Quotas
Operating Environment	41°F to 122°F(5°C to 50°C),relative humidity(non-condensing)8% to 80%
Dimensions	482(W)X542(D)X87(H)mm
Power & Input Voltage	100-220V Auto sensing,50-60Hz,300W Redundant

Product Features:

- Cross-platform file-sharing under Windows(SMB3.0), Mac(AFP3.1) and Unix/Linux(NFS)
- Supports Microsoft 2003 Server domain (PDC) and user-sensitive security
- Front-mounted LCD for quick configuration and web-based GUI
- Remotely-upgradable firmware via web
- SMTP(e-mail) failover notification
- Easy configuration, installation and maintenance



Specifications and product offerings subject to change without notice. *Various trademarks belong to their respective owners.